

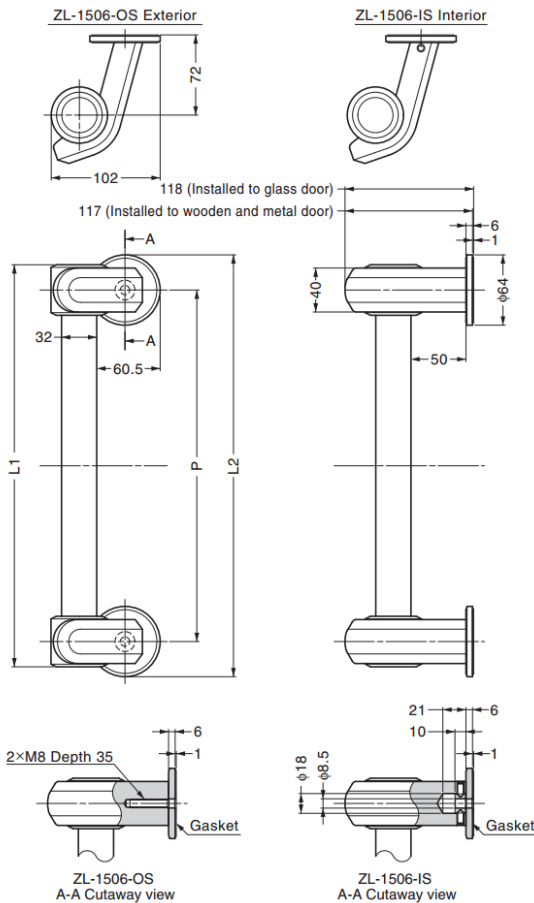
ZL-1506 *Zwei L* Door Handle

Features

- Able to install on doors made of glass, wood, and metal
- Superior “Zwei L Finish” - *Zwei L* represents the very pinnacle of ultra-premium Japanese hardware design. The contrasting bands of mirror finish and lustrous satin on a faceted profile give a jewel like finish that highlights and enhances any industrial design

Notes

- Hex key 5 included
- Screws are not included for **ZL-1506-OS** and **ZL-1506-IS**
- Bore holes with ± 1 mm tolerance



Part No.	Type	Material	Finish	L ₁	L ₂	P
ZL-1506-OS-192	Exterior	Stainless Steel 316	Zwei L Finish	238	256	192
ZL-1506-IS-192	Interior					
ZL-1506-WR-192	Back-to-Back with Base					
ZL-1506-OS-320	Exterior			366	384	320
ZL-1506-IS-320	Interior					
ZL-1506-WR-320	Back-to-Back with Base					
ZL-1506-OS-640	Exterior			686	704	640
ZL-1506-IS-640	Interior					
ZL-1506-WR-640	Back-to-Back with Base					
ZL-1506-OS-960	Exterior			1006	1024	960
ZL-1506-IS-960	Interior					
ZL-1506-WR-960	Back-to-Back with Base					

Working Diagram		Door Thickness (mm)	Door Hole (mm)	Item Name	
Back-to-Back on Glass Door	With Base Plate		6-15	φ 16	ZL-1506-WR
	Without Base Plate		25-45	φ 9	ZL-1506-WR
Back-to-Back on Wooden/Metal Frame Door	With Base Plate		37-57	φ 9	ZL-1506-WR
	Without Base Plate				
Single Use on Wooden/Metal Frame Door	With Base Plate		Screws not included.	φ 9	ZL-1506-OS
				—	ZL-1506-IS
	Without Base Plate			φ 9	ZL-1506-OS
				—	ZL-1506-IS

*If door thickness exceeds recommended thickness, a longer bolt (not supplied) should be used